

## LAN PRODUCTS

### 10BASE-T LOW PASS FILTER MODULES

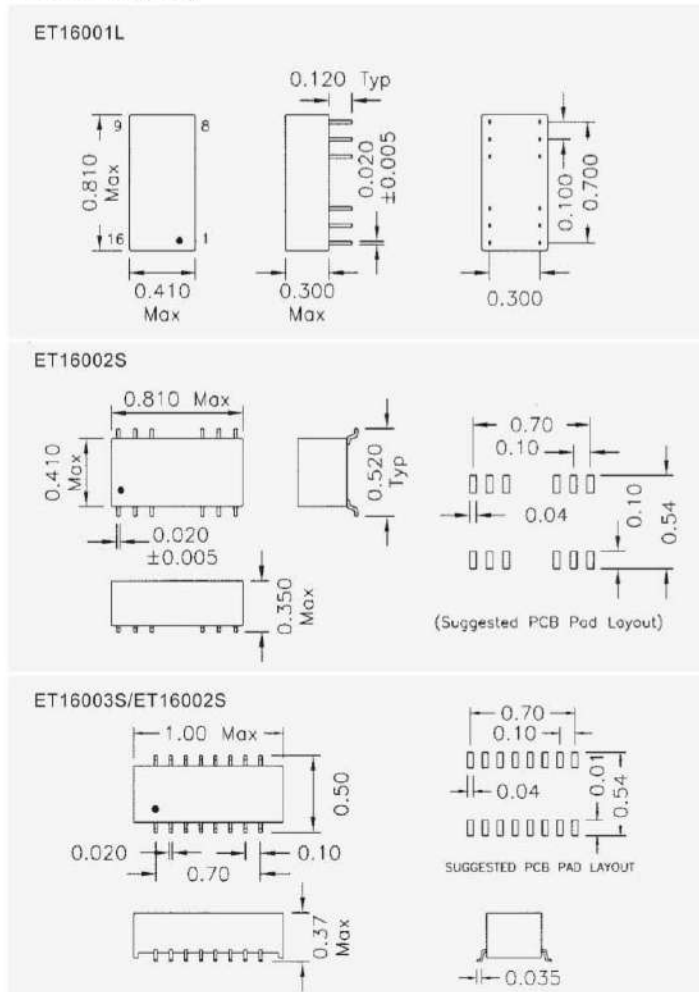
- Designed to meet IEEE 802.3 requirement.
- Single port modules available with and without common mode choke
- Minimum isolation voltage: 1500 Vrms
- Type: S: SMD  
L: DIP



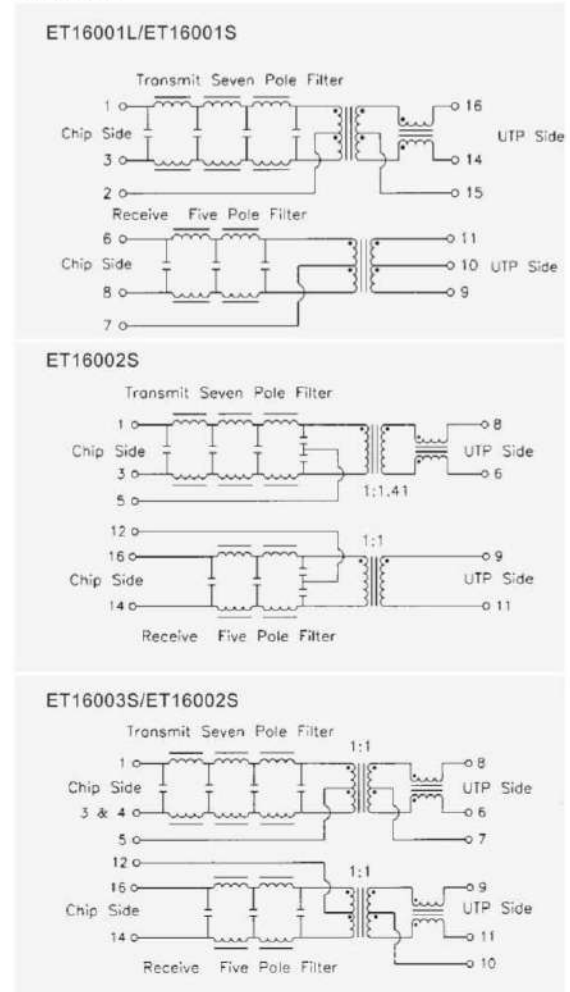
### ELECTRICAL SPECIFICATIONS

Part Number	Turns Ratio		Insertion Loss 1-10MHz (dB Min)	Return Loss 1-10MHz (dB Max)	Attenuation (dB Max)						Crosstalk 1-30MHz (dB Max)	Common Mode Rejection(dB Max)		Isolation (Vrms Min)	No. of Pin
	TX	RX			30MHz TX	30MHz RX	50MHz TX	50MHz RX	100MHz TX	100MHz RX		50MHz	100MHz		
ET16001L	1CT:1CT	1CT:1CT	-1.1	-15	-30	-20	-35	-25	-35	-25	-30	-35	-30	1500	16
ET16001S	1CT:1CT	1CT:1CT	-1.1	-15	-30	-20	-35	-25	-35	-25	-30	-35	-30	1500	16
ET16002S	1.41:1	1:1	-1.1	-15	-30	-20	-35	-25	-35	-25	-30	-45	-45	1500	16
ET16003S	1:1	1:1	-1.1	-15	-30	-20	-35	-25	-35	-25	-30	-45	-45	1500	16

### mechanicals(inch)



### schematic



## LAN PRODUCTS

### 10/100BASE-TX TRANSFORMER MODULES

- ◎ Small form factor for board layout efficiency
- ◎ Minimum isolation voltage: 1500 Vrms
- ◎ Meets all IEEE802.3 and ANSI X3.263 standards including 350 uH minimum OCL with 8 mA bias
- ◎ Type: S: SMD  
L: DIP



### ELECTRICAL SPECIFICATIONS

Single Port PC Card LAN Solutions												
Part Number	Turns Ratio		Insertion Loss 0.3-100MHz(dB Min)	Return Loss(dB Max)			Crosstalk(dB Max)			Isolation (Vrms Min)	Form/ Schematic	No. of Pin
	TX	RX		1-30MHz	60MHz	80MHz	30MHz	60MHz	100MHz			
ET12403S	1:1CT	1CT:1CT	-1.0	-16	-14	-12	-50	-45	-40	1500	B(SMT)2	12
ET16403S	1CT:1CT	1CT:1CT	-1.1	-18	-13	-11	-40	-30	-30	1500	A(SMT)1	16
ET16403L	1CT:1CT	1CT:1CT	-1.1	-18	-13	-11	-40	-30	-30	1500	D(THT)1	16
ET16405S	1:1CT	1CT:1CT	-1.0	-18	-16	-12	-50	-45	-40	1500	C(SMT)3	16
ET16405L	1CT:1CT	1CT:1CT	-1.1	-18	-13	-11	-40	-30	-30	1500	D(THT)4	16
Dual Port												
Part Number	Turns Ratio		Insertion Loss 0.3-100MHz(dB Min)	Return Loss(dB Max)			Crosstalk(dB Max)			Isolation (Vrms Min)	Form/ Schematic	No. of PIN
	TX	RX		1-30MHz	60MHz	80MHz	30MHz	60MHz	100MHz			
ET20404L	1CT:1CT	1CT:1CT	-1.1	-16	-12	-11	-45	-40	-35	1500	G(THT)5	20
ET24401S	1CT:1CT	1CT:1CT	-1.1	-18	-13	-11	-40	-40	-35	1500	E(SMT)6	24
Quad Port												
Part Number	Turns Ratio		Insertion Loss 0.3-100MHz(dB Min)	Return Loss(dB Max)			Crosstalk(dB Max)			Isolation (Vrms Min)	Form/ Schematic	No. of PIN
	TX	RX		1-30MHz	60MHz	80MHz	30MHz	60MHz	100MHz			
ET40402S	1CT:1CT	1:1	-1.1	-18	-13	-11	-40	-40	-30	1500	F(SMT)7	40

- Notes: 1.Common to common mode rejection: 30 dB minimum  
 2.Differential to common mode rejection: 30 dB minimum  
 3.SMT products meet IR 235 C peak requirement

## LAN PRODUCTS

### 10/100BASE-TX TRANSFORMER MODULES

- ◎ Small form factor for board layout efficiency
- ◎ Minimum isolation voltage: 1500 Vrms
- ◎ Meets all IEEE802.3 and ANSI X3.263 standards including 350 uH minimum OCL with 8 mA bias
- ◎ Type: S: SMD  
L: DIP



### ELECTRICAL SPECIFICATIONS

Single Port PC Card LAN Solutions												
Part Number	Turns Ratio		Insertion Loss 0.3-100MHz(dB Min)	Return Loss(dB Max)			Crosstalk(dB Max)			Isolation (Vrms Min)	Form/ Schematic	No. of Pin
	TX	RX		1-30MHz	60MHz	80MHz	30MHz	60MHz	100MHz			
ET12403S	1:1CT	1CT:1CT	-1.0	-16	-14	-12	-50	-45	-40	1500	B(SMT)/2	12
ET16403S	1CT:1CT	1CT:1CT	-1.1	-18	-13	-11	-40	-30	-30	1500	A(SMT)/1	16
ET16403L	1CT:1CT	1CT:1CT	-1.1	-18	-13	-11	-40	-30	-30	1500	D(THT)/1	16
ET16405S	1:1CT	1CT:1CT	-1.0	-18	-16	-12	-50	-45	-40	1500	C(SMT)/3	16
ET16405L	1CT:1CT	1CT:1CT	-1.1	-18	-13	-11	-40	-30	-30	1500	D(THT)/4	16
Dual Port												
Part Number	Turns Ratio		Insertion Loss 0.3-100MHz(dB Min)	Return Loss(dB Max)			Crosstalk(dB Max)			Isolation (Vrms Min)	Form/ Schematic	No. of PIN
	TX	RX		1-30MHz	60MHz	80MHz	30MHz	60MHz	100MHz			
ET20404L	1CT:1CT	1CT:1CT	-1.1	-16	-12	-11	-45	-40	-35	1500	G(THT)/5	20
ET24401S	1CT:1CT	1CT:1CT	-1.1	-18	-13	-11	-40	-40	-35	1500	E(SMT)/6	24
Quad Port												
Part Number	Turns Ratio		Insertion Loss 0.3-100MHz(dB Min)	Return Loss(dB Max)			Crosstalk(dB Max)			Isolation (Vrms Min)	Form/ Schematic	No. of PIN
	TX	RX		1-30MHz	60MHz	80MHz	30MHz	60MHz	100MHz			
ET40402S	1CT:1CT	1:1	-1.1	-18	-13	-11	-40	-40	-30	1500	F(SMT)/7	40

- Notes: 1.Common to common mode rejection: 30 dB minimum  
 2.Differential to common mode rejection: 30 dB minimum  
 3.SMT products meet IR 235 C peak requirement

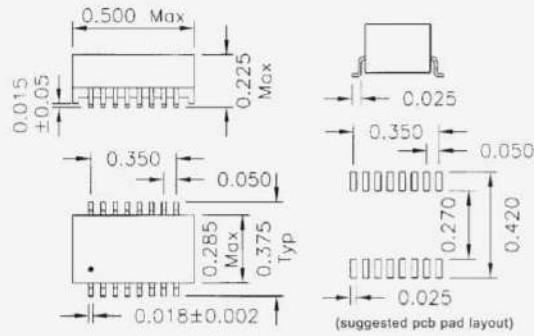


# LAN PRODUCTS

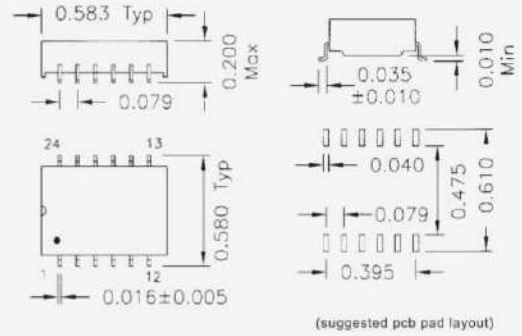
## 10/100BASE-TX TRANSFORMER MODULES

## mechanicals(inch)

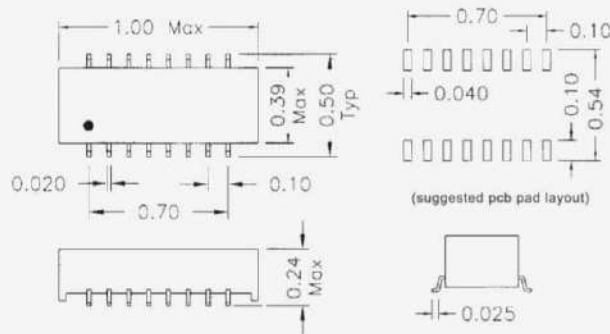
A TYPE



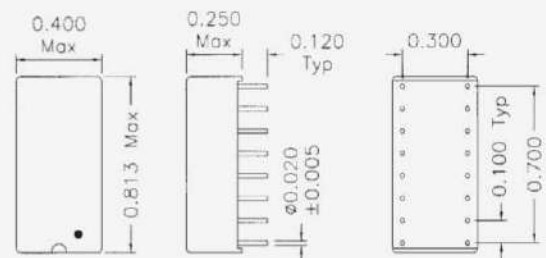
B TYPE



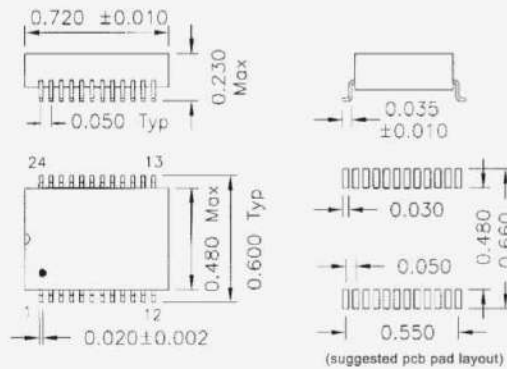
C TYPE



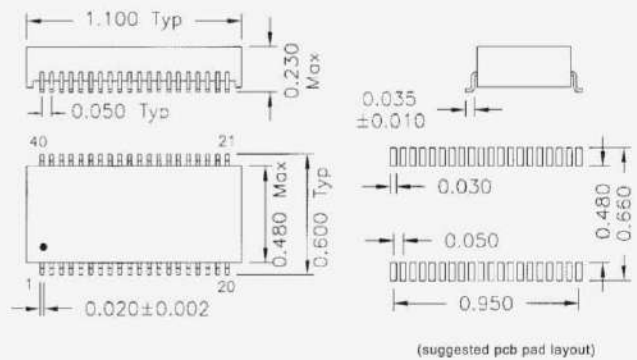
D TYPE



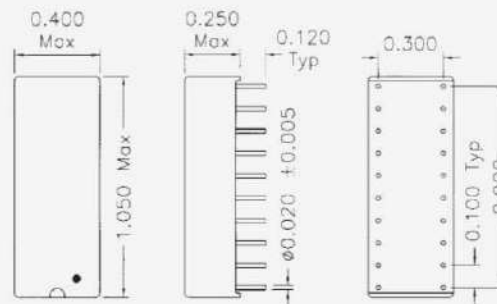
E TYPE



F TYPE



G TYPE



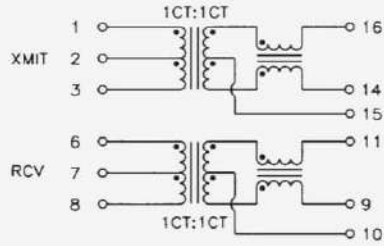


## LAN PRODUCTS

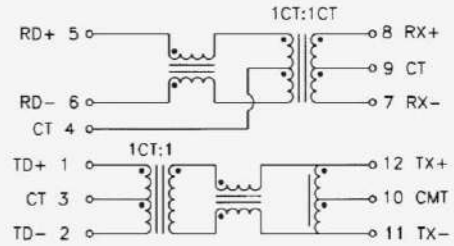
### 10/100BASE-TX TRANSFORMER MODULES

### schematic

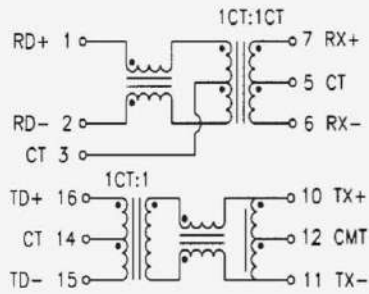
TYPE 1



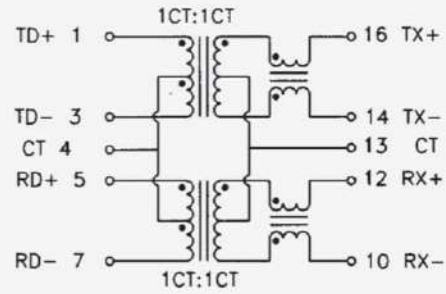
TYPE 2



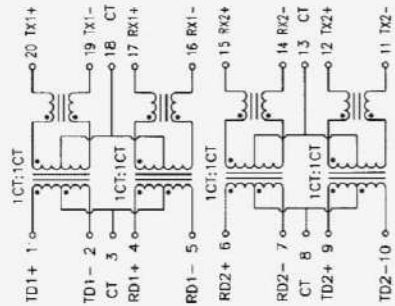
TYPE 3



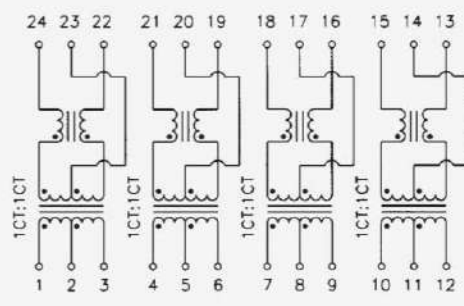
TYPE 4



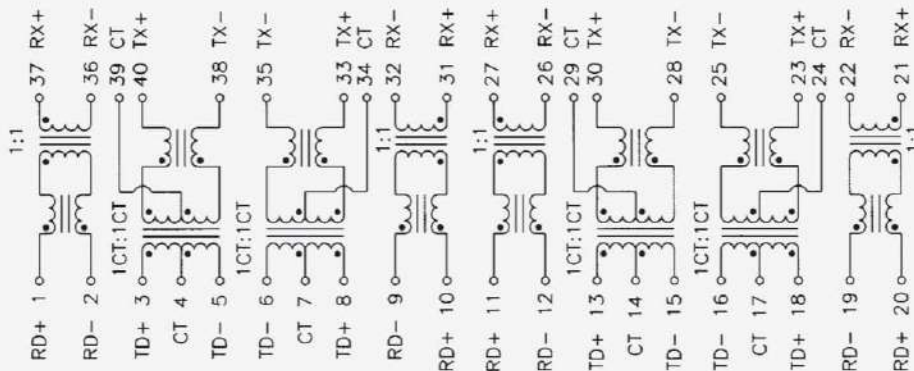
TYPE 5



TYPE 6



TYPE 7



## LAN PRODUCTS

### 10/100/1000BASE-T TRANSFORMER MODULES

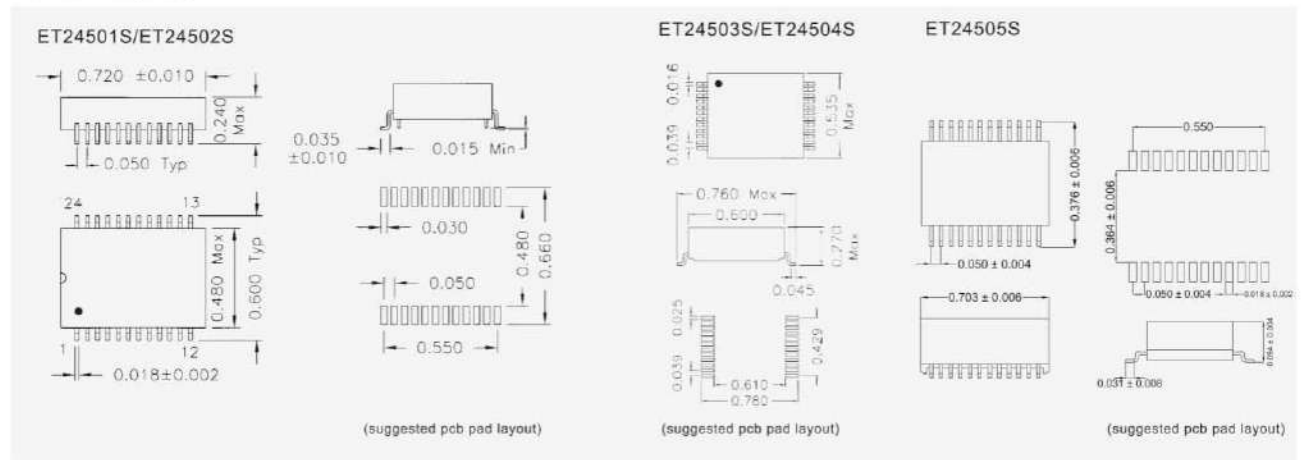
- ⊙ Compliant IEEE 802.3ab standard for 1000 base-T
- ⊙ Designed for long haul gigabit ethernet(10/100/1000 base-T) applications
- ⊙ Cable interface isolation and low common mode emissions
- ⊙ Type: S: SMD  
L: DIP



### ELECTRICAL SPECIFICATIONS

Part Number	Turns Ratios	Insertion Loss 1-100MHz(dB Min)	Return Loss(dB Max)					D.C.M.R (dB Max)			Crosstalk(dB Max)			Isolation (Vrms Min)	No. of Pin
			1-30MHz	40MHz	50MHz	60-80MHz	100MHz	30MHz	60MHz	100MHz	30MHz	60MHz	100MHz		
ET24501S	1CT:1CT	-1.1	-18	-18	-16	-12	-10	-43	-37	-33	-45	-40	-35	1500	24
ET24502S	1CT:1CT	-1.1	-18	-18	-16	-12	-10	-43	-37	-33	-45	-40	-35	1500	24
ET24503S	1CT:1CT	-1.1	-18	-18	-16	-12	-10	-43	-37	-33	-45	-40	-35	1500	24
ET24504S	1CT:1CT	-1.1	-18	-18	-16	-12	-10	-43	-37	-33	-45	-37	-35	1500	24
ET24505S	1CT:1CT	-1.1	-18	-18	-16	-12	-10	-43	-37	-35	-45	-37	-35	1500	24

### mechanical(inch)



### schematic

